

## AMCA CONSTANT FLOW FILTER

With flow cartridge

Series FP

### AMCA CONSTANT FLOW FILTERS PERFORM BETTER

In real conditions some filter elements tend to perform not as well as evaluated through a multipass test. Variable flow rate and vibration show an unacceptable drop in removal efficiency ( $\beta$ -rating) and dirt capacity. Clouds of contamination, downstream the filter, could result in component failure.

**AMCA CONSTANT FLOW FILTERS (ACFF)** ensure that hydraulic fluid continually circulates through the filter elements at a constant flow rate. Thus meeting the steady state conditions of the multipass test and keeping the system clean at all time.



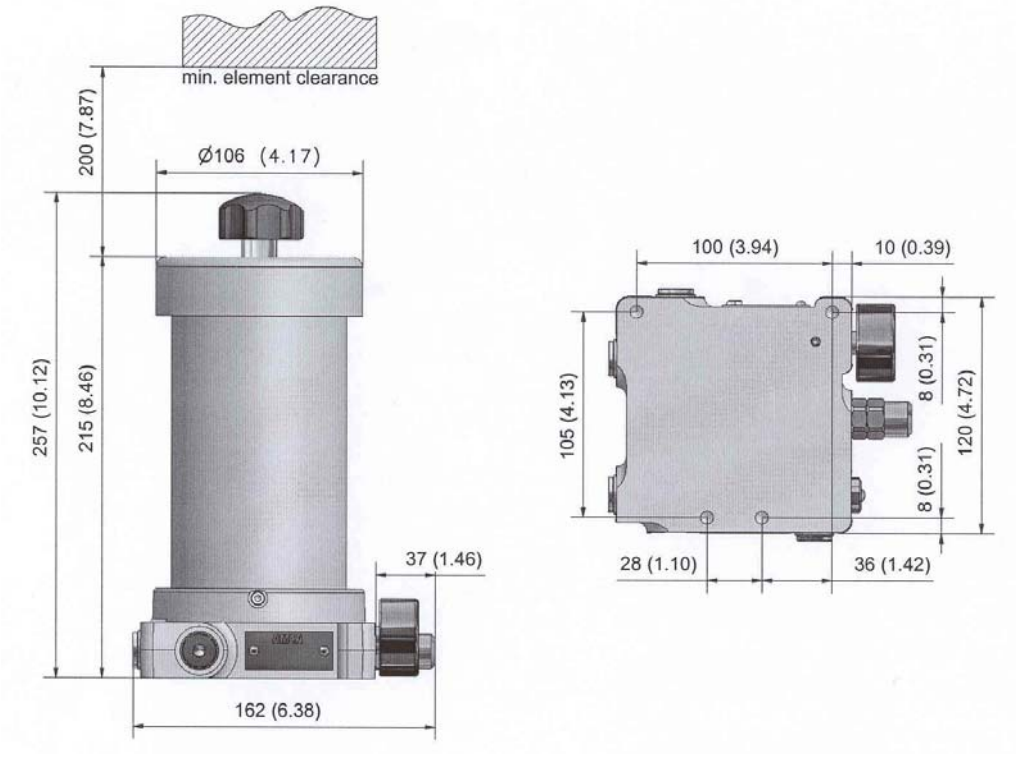
The **AMCA-ACFF-3** element offers the following benefits:

- \* Due to the removal of the metal parts of the elements, the disposal weight will be reduced by more than 50%.
- \* The remaining oil in the element can be removed by means of simple pressing sequence. This will reduce the disposal costs even more.
- \* The metal re-useable sleeve is made from durable materials.
- \* The elements are equipped with a silicone bottom in order to prevent dirt being flushed back during element change.
- \* The elements are equipped with the glass fibre media with filtration finenesses of 1 or 3 micron.

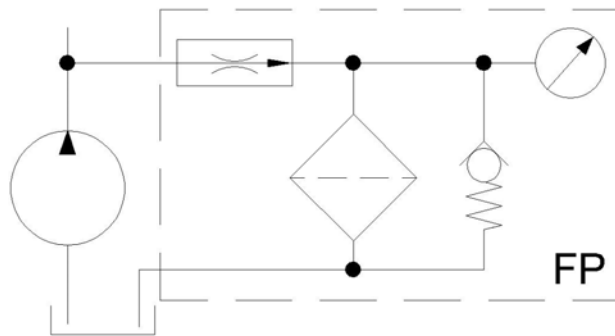
### TECHNICAL DATA

Nominal working pressure (inlet)	350 bar (5000 psi)
Nominal flow rate	2, 4, 6 and 8 l/min (0.5, 1.0, 1.6 and 2.1 USgpm)
Filtration rating	$\beta_3 \geq 200$
Filter element max. work pressure	2.5 bar (35.7 psi)
Filter housing max. work pressure	5 bar (71.5 psi)
Mounting position	Vertical
Size working port (inlet)	1/4" BSP
Size working port (outlet)	3/8" BSP
By-pass setting	2.0 bar (28.6 psi)
Max. fluid temperature	+ 80°C (+ 176°F)
Viscosity range	10...500cSt
Indicator	Pressure gauge 2.5 bar (35.7 psi)
Media	AMCA-ACFF-3

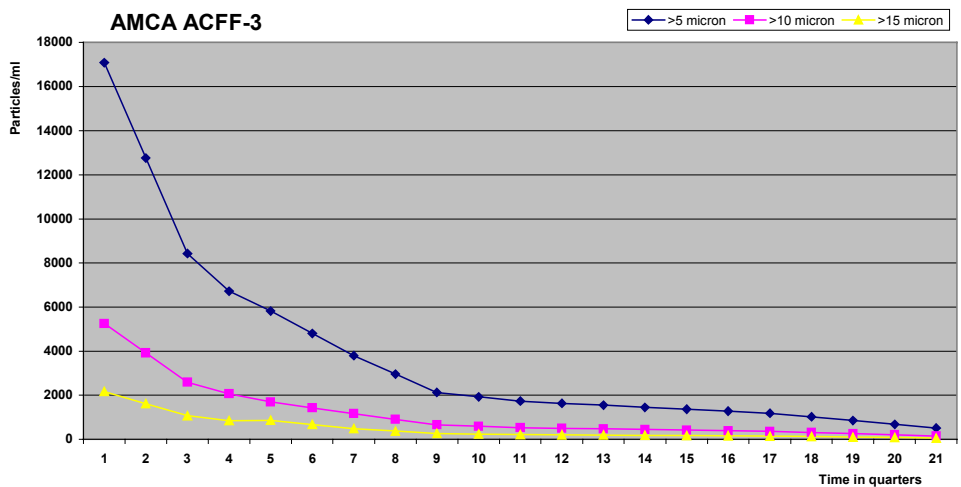
**Dimensions:**



**Circuit example:**



**Diagram:**



**AMCA Hydraulic Fluid Power B.V.**

P.O.BOX 18, 9790 AA Ten Boer  
 B. Kuiperweg 33, 9792 PJ Ten Post  
 The Netherlands  
 E-mail: sales@amca-nl.com  
 Homepage: www.amca-nl.com

NL Tel. : + 31 (0) 50 3023577  
 Fax.: + 31 (0) 50 3021226