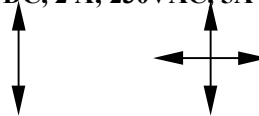


JOYSTICK ST0 and CS1



The ST0 is a one-axis joystick and the CS1 is a two-axis joystick, which provide precise proportional control for electro-hydraulic valves.

- Potentiometer 0-10k Ω , 1W
Max. electric current 1 mA
- Protection IP56, front side
(splash water proof)
- Optional micro switch:
24VDC, 2 A; 230VAC, 5A



ST0

CS1

CORDERING CODE	AXIS	POTENTIO-METER (0-10k Ω)	SPRING RETURN	MECHANICAL INTERLOCK	DIRECTION CONTACT	PUSH BUTTON
STOR W B10	1	1	YES	-	-	-
STOR Z B10	1	1	YES	YES	-	-
STOR 8P1 B10	1	1	YES	-	YES	-
STOR Z 8P1 B10	1	1	YES	YES	YES	-
STOR B10 DTV	1	1	YES	-	-	YES
STOR B10 DTVZ	1	1	YES	YES	-	YES
STOR 8P1 B10 DTV	1	1	YES	-	YES	YES
STOR 8P1 B10 DTVZ	1	1	YES	YES	YES	YES
CS1 11* VR B10.B10	2	2	YES	-	-	-
CS1 11* VR 8P1.8P1 B10.B10	2	2	YES	-	YES	-
CS1 11* VR 8P1. 8P1 B10.B10 DTV	2	2	YES	-	YES	YES
CS1 11* VR Z B10.B10	2	2	YES	YES	-	-
CS1 11* VR Z 8P1.8P1 B10.B10 DTV	2	2	YES	YES	YES	YES

*: length of handle = 110 mm, with code 14 length of handle = 140 mm

AMCA Hydraulic Fluid Power BV

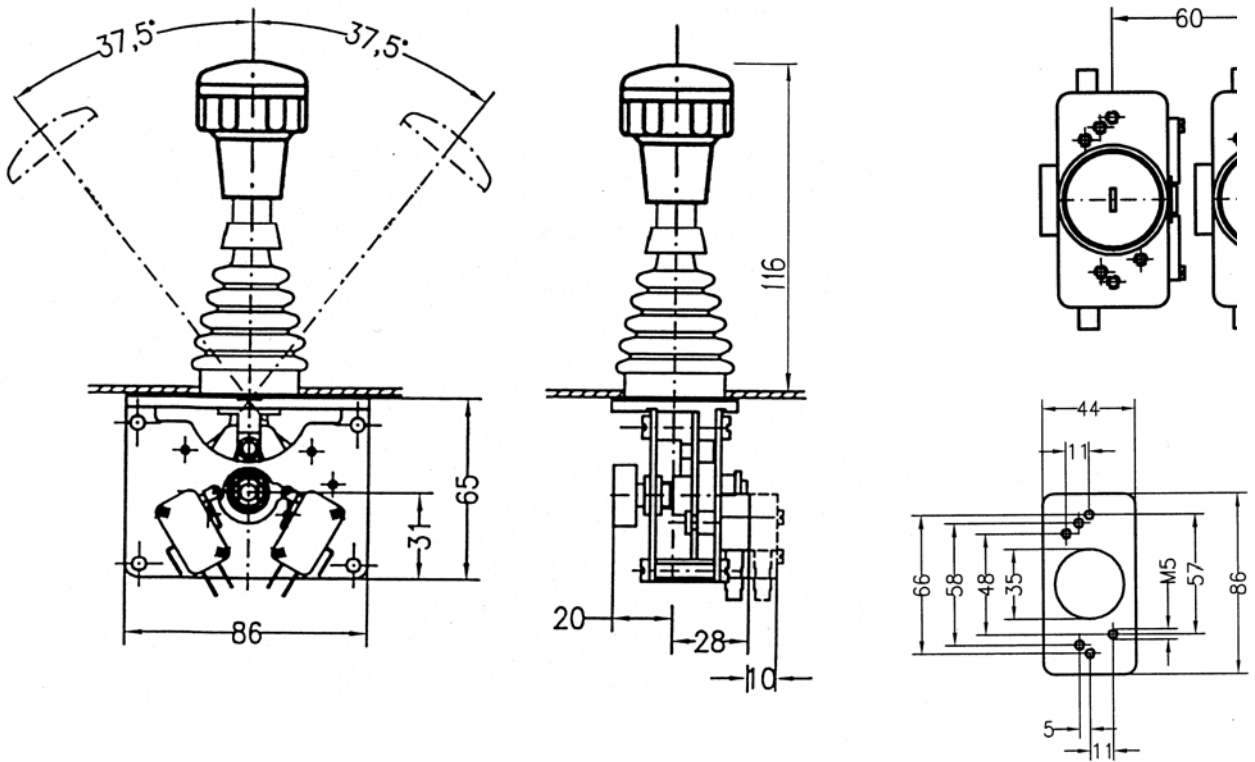
B.Kuiperweg 33,9792 PJ TEN POST
P.O.BOX 18, 9790 AA TEN BOER
The Netherlands

Tel. : +31 (0)50 - 3023577
Fax.: +31 (0)50 - 3021226
E-mail: sales@amca-nl.com
Homepage: <http://www.amca-nl.com>

DIMENSIONS ST0

Dimensions in millimeters

Mounting dimensions



DIMENSIONS CS1

Dimensions in millimeters

Mounting dimensions

